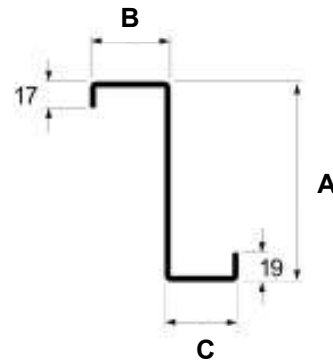
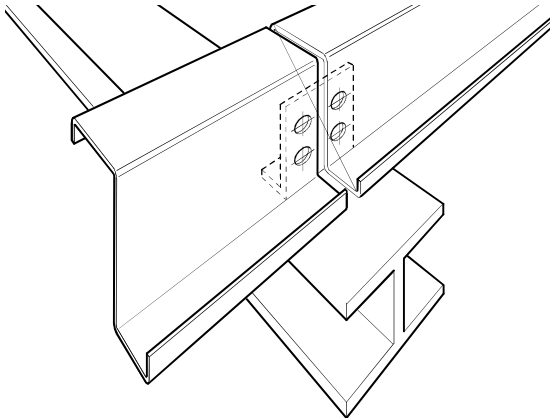
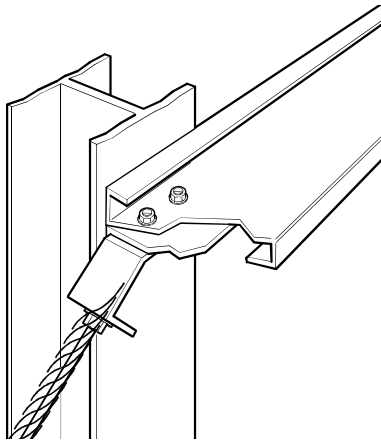


Purlins

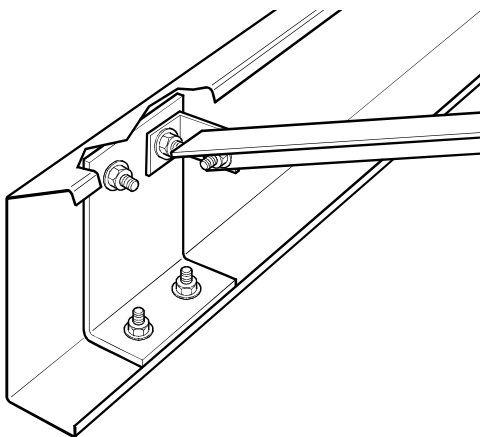


Rails



Section	A	B	C
Z141	141	56	51
Z151	151	56	51
Z171	171	67	62
Z201	201	67	62
Z231	231	78	71
Z261	261	82	74
Z301	301	92	84
Z341	341	102	94

Eaves Beam



Section	Depth mm	Gauge mm
17020	170	2.0
17024	170	2.4
17030	170	3.0
20020	200	2.0
20024	200	2.4
20030	200	3.0
21020	210	2.0
21024	210	2.4
21030	210	3.0
24020	240	2.0
24024	240	2.4
24030	240	3.0
27024	270	2.4
27030	270	3.0
33024	330	2.4
33030	330	3.0